

TEKSTÜR 120 T (TEKS120T)

GENERAL DATA



HIGH-END EXTRACTOR WITH TIMER AND AUTOMATIC BACK DRAUGHT DAMPER FOR CEILING AND WALL INSTALLATION

MANUFACTURING FEATURES:

High-end design extractor according to European industrial fashion canons with a smooth double textured front panel. By not carrying a grid and having a double textured shell, dust and dirt particles do not adhere easily, making it easier to clean the extractor. For wall or ceiling installation.

High airflow rate, low noise level of operation and low energy consumption due to optimized wing-shaped profile blades and motor support designed to favor the passage of extracting air flow.

Housing and impeller made of UV-resistant ABS plastic (prevents aging caused by exposure to sunlight). Self-lubricated bushings motor protected against thermal overload. Maximum working temperature in continuous: 50°C.

IPX4 protection. IMQ Safety certificate to guaranty the electromechanical compatibility. Motor 230V 50Hz

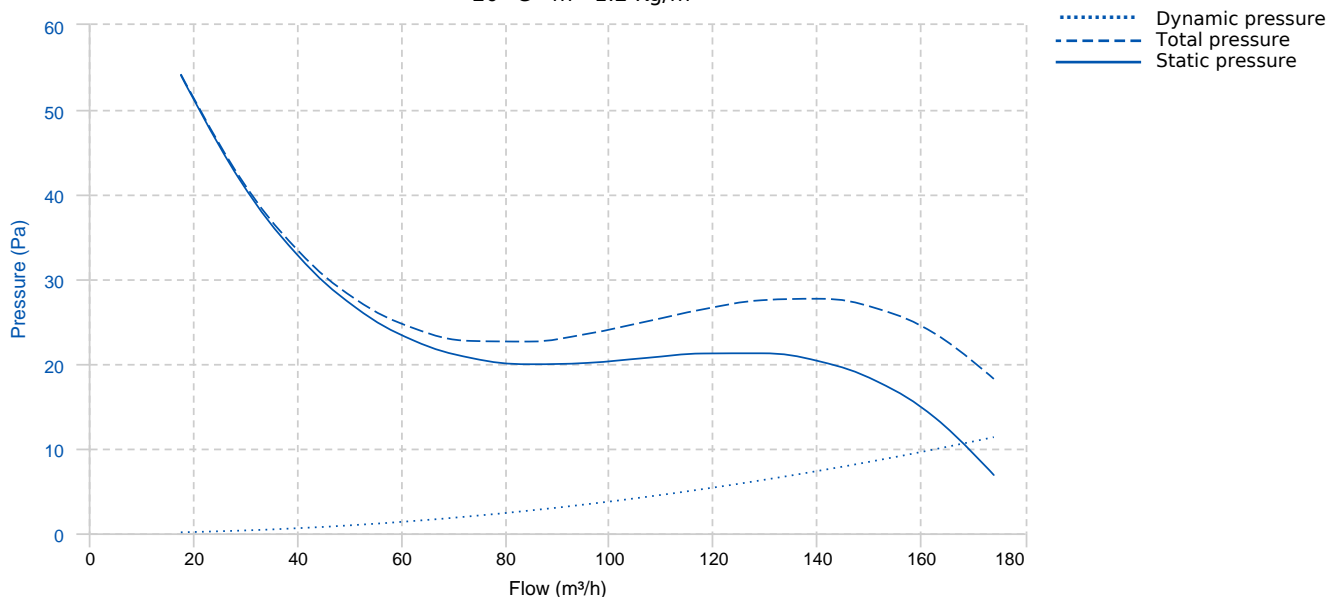
APPLICATIONS:

Ideal for living rooms, bathrooms, and any design "high-end" space where the fan goes unnoticed by its nice modern design.

To be installed in ventilation ducts. Compatible with 100 and 125 air ducts.

PERFORMANCE CURVE

20 °C - m - 1.2 Kg/m³



TECHNICAL DATA

Fan

RPM

2250

Approx. weight

1.07 kg

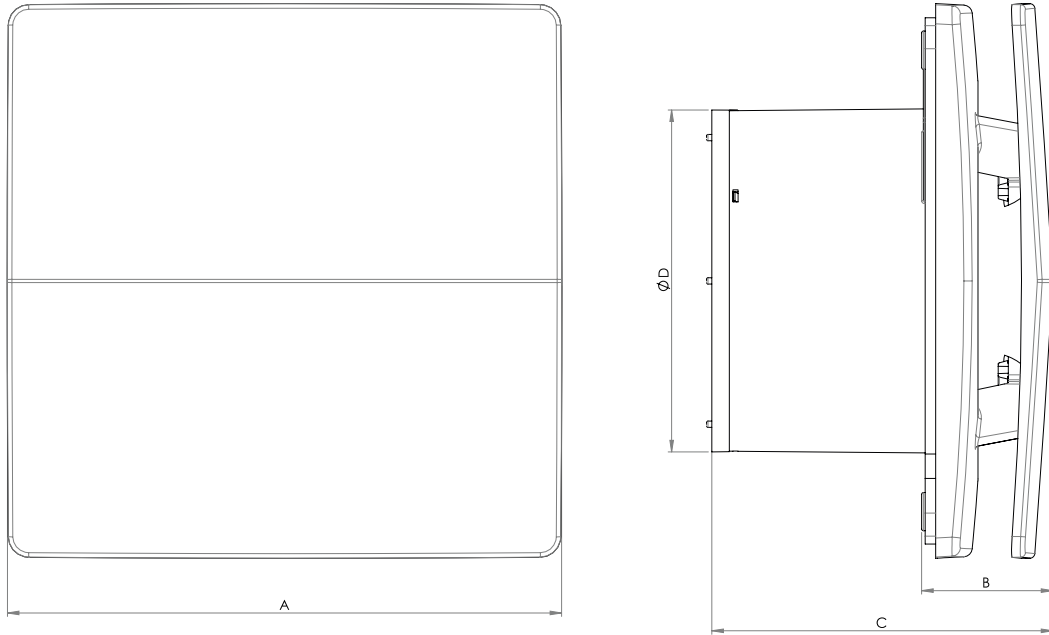
Max. Flow

180 m³/h

Motor

Power	0,02 kW	RPM	2250	I max. (230V)	0,12 A
-------	---------	-----	------	---------------	--------

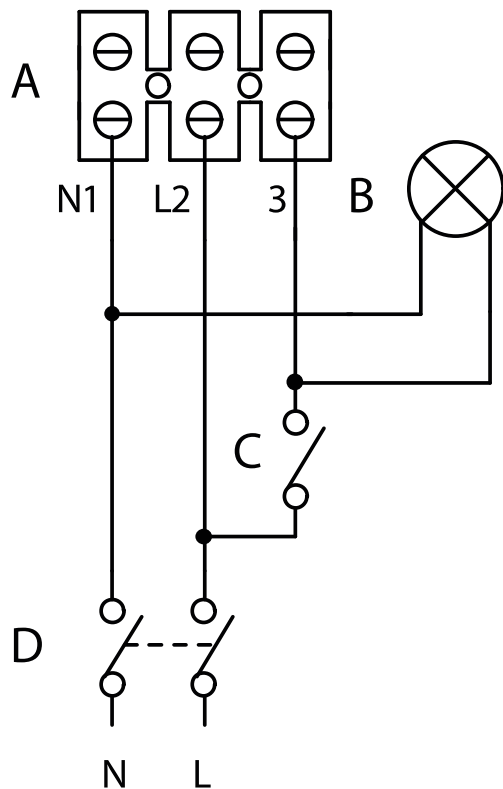
DIMENSIONS



Dimensions (mm)

A	179	B	43	C	115	D	118.9
---	-----	---	----	---	-----	---	-------

WIRING DIAGRAM



- A) Terminal block
Bornes
- B) Lamp
Luz
- C) Lamp switch
Interruptor de la luz
- D) 2 poles switch
Interruptor bipolar

ACCESSORIES